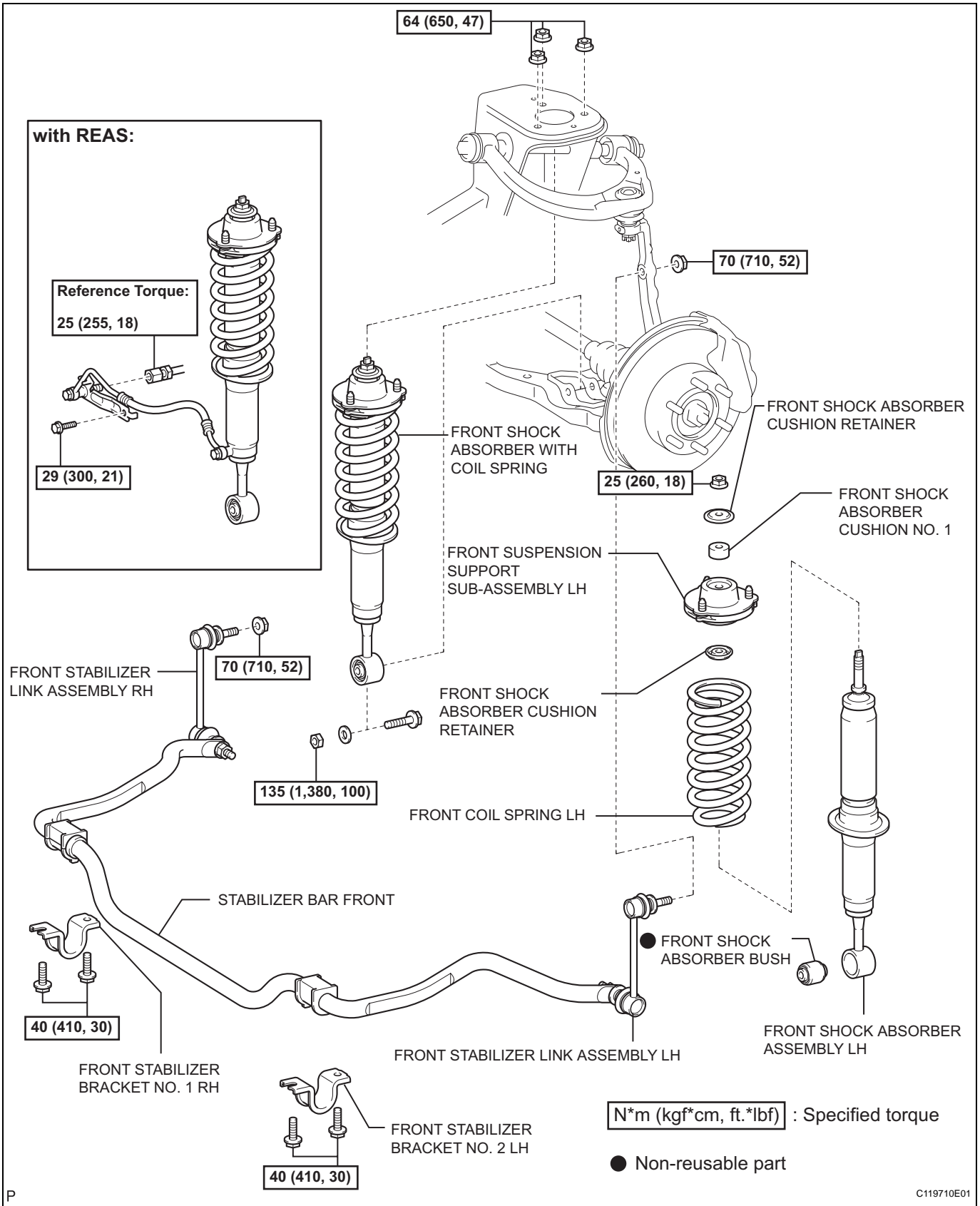


FRONT SHOCK ABSORBER

COMPONENTS



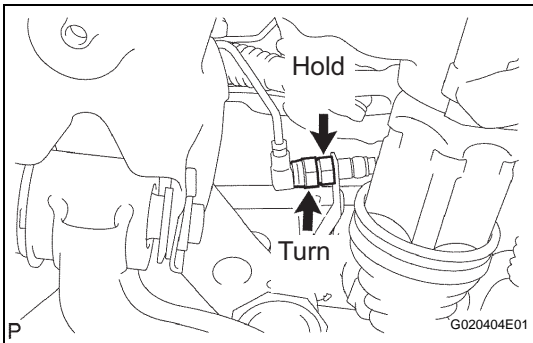
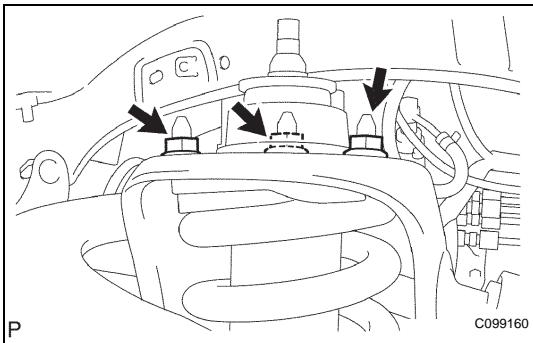
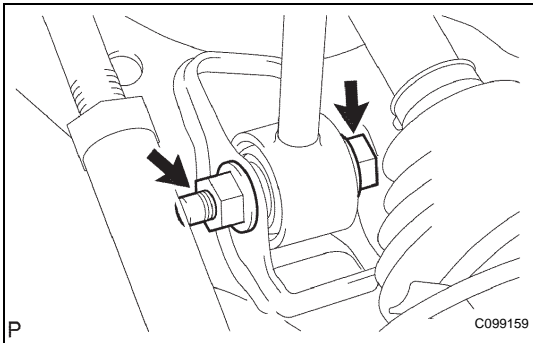
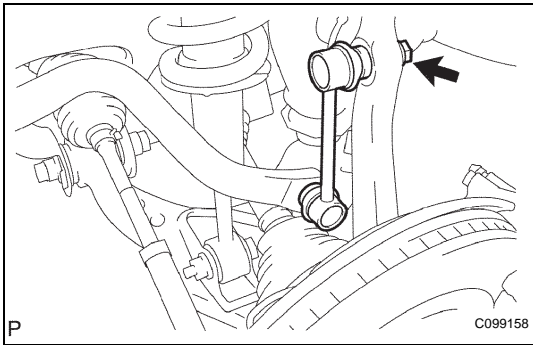
SP

REMOVAL

1. REMOVE FRONT DISC WHEEL
2. REMOVE FRONT STABILIZER LINK ASSEMBLY LH
 - (a) Remove the nut and disconnect the stabilizer link from the steering knuckle.

HINT:
If the ball joint turns together with the nut, use a hexagon (6 mm) wrench to hold the stud.
3. REMOVE FRONT STABILIZER LINK ASSEMBLY RH

HINT:
Remove the RH side by following the same procedures with the LH side.
4. REMOVE FRONT STABILIZER BRACKET NO. 2 LH
5. REMOVE FRONT STABILIZER BRACKET NO. 1 RH
6. REMOVE STABILIZER BAR FRONT
7. REMOVE FRONT SHOCK ABSORBER WITH COIL SPRING (w/o REAS)
 - (a) Remove the bolt, the nut and the washer.

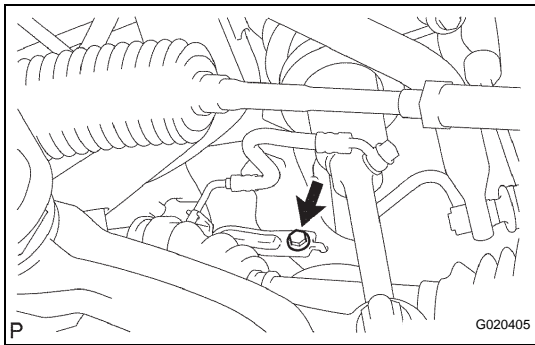


- (b) Remove the 3 nuts on the upper side of the front shock absorber with coil spring.
 - (c) Remove the front shock absorber with coil spring.
8. REMOVE FRONT SHOCK ABSORBER WITH COIL SPRING (w/ REAS)

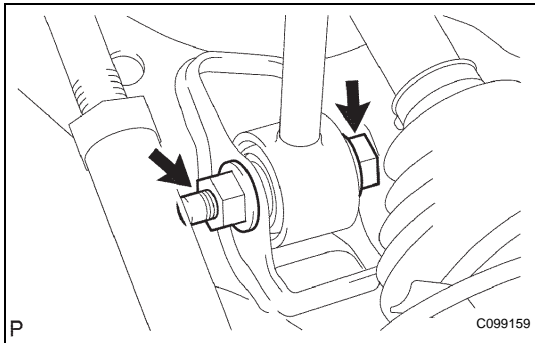
NOTICE:
Conduct the operations as stretching all the shock absorbers out by jacking up the vehicle.

 - (a) As shown in the illustration, loosen the nut and disconnect the tube.

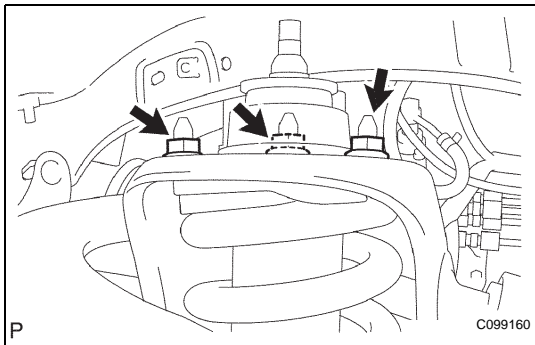
NOTICE:
Never loosen the absorber hoses and the flare nuts at the joint parts.



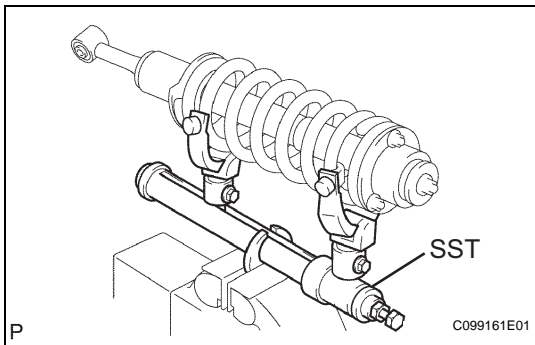
(b) Remove a bolt and the bracket.



(c) Remove a bolt, the nut and the washer.



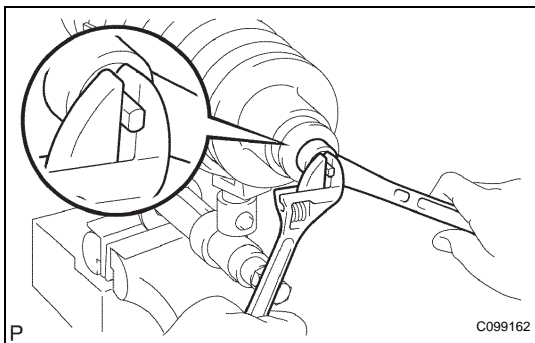
(d) Remove the 3 nuts on the upper side of the front shock absorber with coil spring.
 (e) Remove the front shock absorber with coil spring.



9. REMOVE FRONT SUPPORT TO FRONT SHOCK ABSORBER NUT

(a) Using SST, compress the coil spring.
SST 09727-30021 (09727-00010, 09727-00031), 09727-00060

NOTICE:
 Do not use an impact wrench. It will damage the SST.



(b) Hold the shock absorber rod, remove the nut.
NOTICE:
 Do not use an impact wrench. It will damage the shock absorber rod.

10. REMOVE FRONT SHOCK ABSORBER CUSHION RETAINER

11. REMOVE FRONT SHOCK ABSORBER CUSHION NO. 1